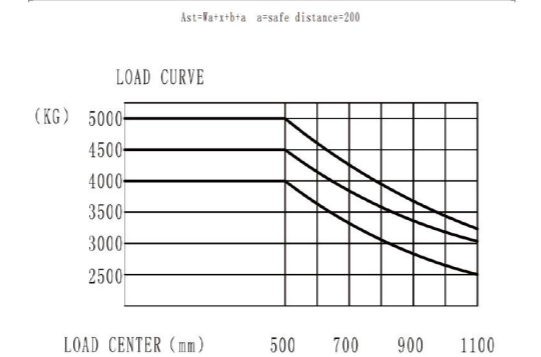
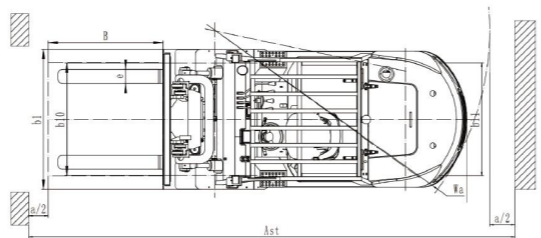
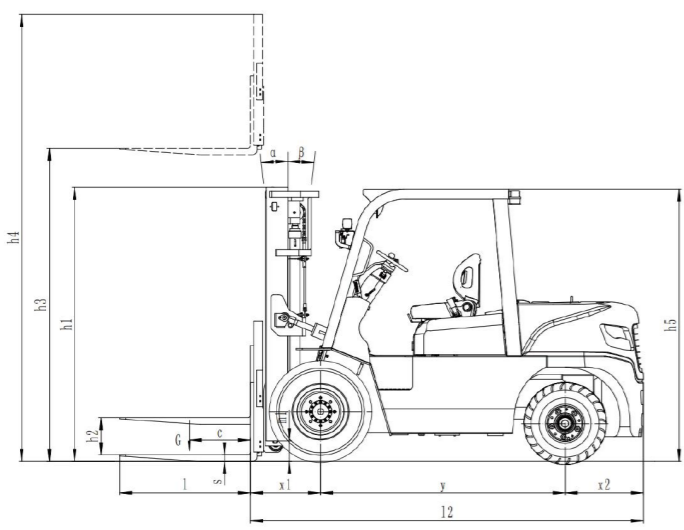


MAST SPECIFICATIONS & RATED CAPACITIES

Mast Type	Mast Name	Max. Fork Height (mm)	Load Capacity (kg)						Overall Height (mm)		Free Lift (mm)		Tilt Angle	
			4.0t	4.0t (Double)	4.5t	4.5t (Double)	5.0t	5.0t (Double)	Lowered	Extended		Without Backrest		With Bracket
										Without Backrest	With Backrest			
Wide View Mast	RM300	3000	4000	4200	4500	4750	5000	5300	2260	3730	4260	140	140	6-12
	RM330	3300	4000	4200	4500	4750	5000	5300	2410	4030	4560	140	140	6-12
	RM350	3500	4000	4200	4500	4750	5000	5300	2510	4230	4760	140	140	6-12
	RM370	3700	4000	4200	4500	4750	4850	5150	2610	4430	4960	140	140	6-12
	RM400	4000	4000	4200	4500	4750	4650	4850	2810	4780	5280	140	140	6-6
	RM430	4300	3800	4000	4200	4450	4300	4600	2960	5080	5560	140	140	6-6
	RM450	4500	3600	3800	4000	4250	4200	4500	3060	5280	5760	140	140	6-6
	RM470	4700	3300	3500	3700	3950	3800	4100	3160	5480	5960	140	140	6-6
	RM500	5000	3000	3200	3500	3750	3650	3900	3310	5780	6260	140	140	6-6
	RM550	5500	2300	2500	2700	2950	2800	3100	3560	6280	6760	140	140	3-6
2-Stage Full Free Wide View Mast	FM200	2000	2200	2400	2650	2500	2800	3860		6830	7260	140	140	3-6
	FM200	2000	4000	4400	4500	4950	5000	5500	1760			1003	488	6-12
	FM250	2500	4000	4400	4500	4950	5000	5500	2010			1253	738	6-12
	FM260	2600	4000	4400	4500	4950	5000	5500	2060			1303	788	6-12
	FM270	2700	4000	4400	4500	4950	5000	5500	2110			1353	838	6-12
	FM290	2900	4000	4400	4500	4950	5000	5500	2210			1453	938	6-12
	FM300	3000	4000	4400	4500	4950	5000	5500	2260	3756	4116	1503	988	6-12
	FM350	3500	4000	4400	4500	4950	5000	5500	2510			1753	1238	6-12
	FM375	3750	3900	4300	4400	4850	4800	5300	2635			1878	1363	6-12
	FM400	4000	3800	4200	4300	4750	4600	5100	2810			2053	1538	6-12
3-Stage Full Free Wide View Mast	TFM400	4000	3800	4000	4300	4550	4600	4900	2205	4820	5265	1380	935	6-6
	TFM420	4200	3600	3800	4000	4250	4300	4600	2270	5015	5460	1445	1000	6-6
	TFM435	4350	3400	3600	3800	4050	4100	4400	2320	5165	5610	1495	1050	6-6
	TFM450	4500	3300	3500	3700	3950	4000	4300	2370	5315	5760	1545	1100	6-6
	TFM470	4700	3000	3200	3300	3500	3600	3900	2435	5510	5955	1610	1165	6-6
	TFM500	5000	2800	3000	3100	3350	3400	3700	2535	5810	6255	1710	1260	6-6
	TFM600	6000	1800	2000	2000	2250	2300	2800	2970	6915	7260	2045	1700	3-6

With side shifter, load capacity subtract 200Kg.



Li-ion NL SEREIS LITHIUM BATTERY COUNTERBANCE FORKLIFT (4.0-mini 5.0T)



Zhejiang UN Forklift Co.,Ltd.

Address: NO.1, Road One, Xindeng New District, Fuyang, Hangzhou, Zhejiang 311404, China

Tel: +86-571-86888377/87565705/86888355/86888388

Fax: +86-571-86888399

E-mail: info@unforklift.com

Parts Inquiry: parts@unforklift.com

www.unforklift.com



www.unforklift.com
INNOVATIVE POWER
THE UN FORKLIFT TRUCK

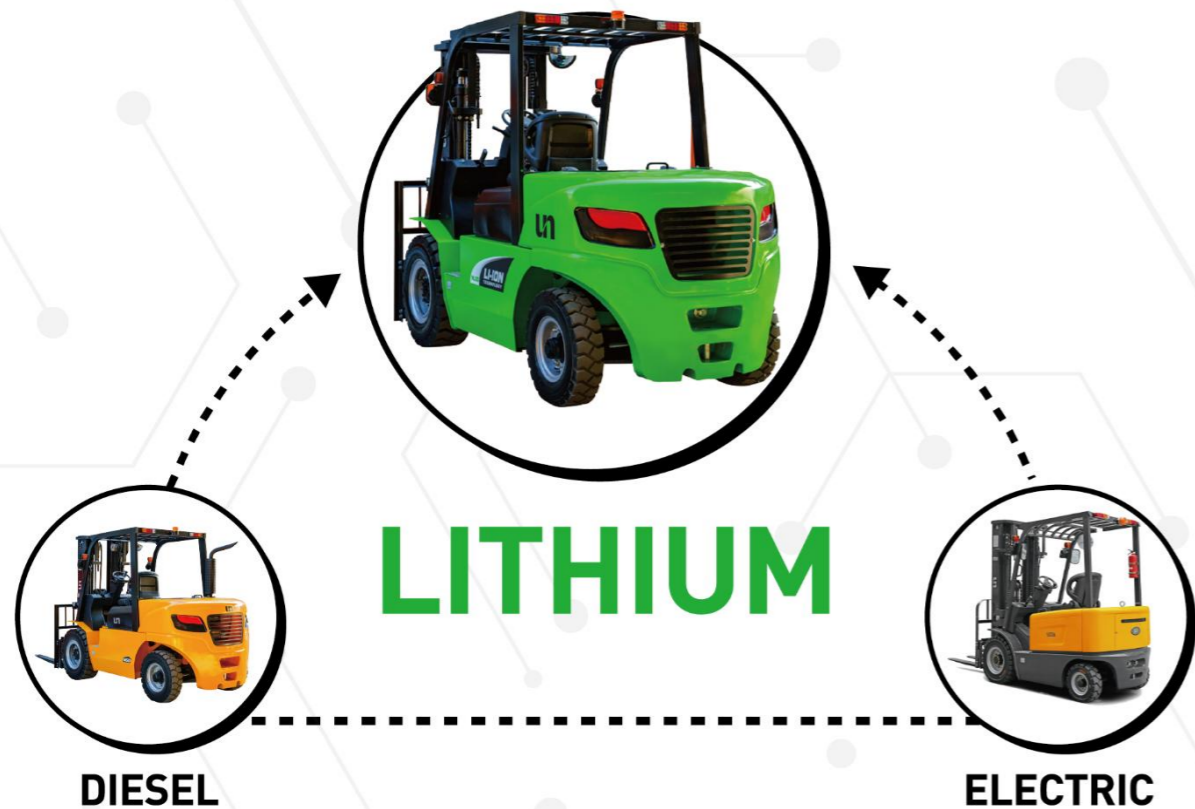


UN FORKLIFT

NL Series Lithium Battery Counterbalance Forklift

Capacity 4,000 to 5,000 kg

The NL Series new lithium battery forklift adopts UN internal combustion forklift's design with the strong chassis, frame, counterweight and mast. The power structure is designed to adopt UN electric forklift's concept, which use full AC system, Italy imported ZAPI controller, BMS control system and high quality lithium battery. This combination of IC forklift and electric forklift makes an ideal solution to reach customers' satisfaction on cost saving and environmental friendly.



LITHIUM BATTERY FORKLIFT IS CONVERTED FROM DIESEL FORKLIFT

TWO IN ONE, ONE FOR TWO



Safety and Convenience

The special hydraulic station ensures the steering is working when you are applying the brake. CAN-bus and BMS system monitor and protect the truck all the time. The big open angle allows you to reach all the parts easily.



Fast Charging

Fully charge only needs about 2.5 hours, and it can be charged at any time during the day to ensure multiple shifts.



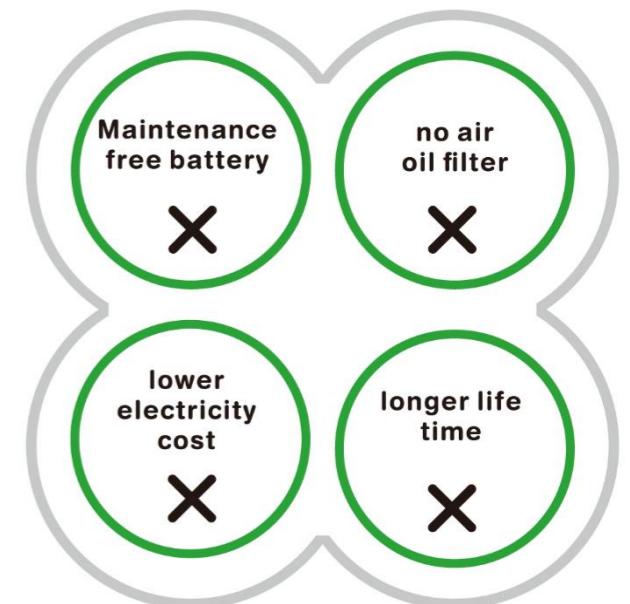
Long Term Performance

The battery can be charged and discharged about 4000 times. Long life cycle plus 5 years guarantee on lithium battery ease customers' worry about the battery.



Lower Total Ownership Cost(TOC)

The purchase cost is similar to regular IC forklift. No fuel consumption cost, no maintenance fee for air filter, oil filter or engine oil changes compare to a regular IC forklift.





Strong & Durable Chassis

Adopting the durable and reliable IC truck structure, mast, axles and tyres, which have been tested by the market for more than 20 years.



Comfort & Ergonomics

Owing to the low center of gravity and good stability, the driver feels comfortable during turning. Bigger leg space than standard Li-ion forklifts.



Multi-Scenario Usage

Adopting the IC forklift structures enable to operate indoor and outdoor, with great waterproof and dustproof performance.



MAIN SPECIFICATIONS

General	1	Manufacturer	UN			1	
	2	Model		FB40-YNLZ7	FB45-YNLZ7	FB50-XYNLZ7	2
3	Drive: Electric(battery or mains), Diesel, Petrol,fuel gas		Electric			3	
4	Load capacity /rated load	Q(kg)	4000	4500	5000	4	
5	Load centre distance	c(mm)	500			5	
Characteristic & Dimension	6	Rated lift height	h3(mm)	3000		6	
	7	Free lift height	h2(mm)	140		7	
	8	Fork Size (l×e×s)	mm	1070×150×55		8	
	9	Tilt of mast/fork carriage forward/backward	α/β(°)	6°/12°		9	
	10	Load distance, center of drive axle to fork	x1(mm)	574		10	
	11	Rear Overhang	x2(mm)	640		11	
	12	Ground clearance (Laden,below mast)	m1(mm)	170		12	
	13	Length to face of fork (Without fork)	l2(mm)	3215		13	
	14	Overall width	b1(mm)	1485		14	
	15	Mast lowered height	h1(mm)	2260		15	
	16	Mast extended height (With backrest)	h4(mm)	4260		16	
	17	Overhead guard height	h5(mm)	2240		17	
	18	Turning radius (Outside)	Wa(mm)	2880		18	
	19	Aisle width for pallets 1000×1200 crossways	Ast(mm)	4655		19	
	20	Aisle width for pallets 800×1200 lengthways	Ast(mm)	4855		20	
Performance	21	Travel speed (Full load / No load)	km/h	14/15		21	
	22	Lifting speed (Full load / No load)	mm/sec	290/400		22	
	23	Lowering Speed (No Load/Full Load)	mm/sec	No Load≥300 Full Loads≤600		23	
	24	Max.Gradeability (Full load)	%	15		24	
Chassis	25	Tyre size (Front x 2)	mm	300-15-18PR		25	
	26	Tyre size (Front x 2)	mm	7.00-12-12PR		26	
	27	Front tread	b10(mm)	1190		27	
	28	Rear tread	b11(mm)	1195		28	
	29	Wheelbase	y(mm)	2000		29	
Weight	30	Total Weight	kg	6305	6505	6805	30
	31	Front Axle Weight Distribution (Full Load)	kg	8810	9550	9750	31
	32	Rear Axle Weight Distribution (Full Load)	kg	1495	1455	1555	32
	33	Front Axle Weight Distribution (No Load)	kg	2650	2610	2710	33
	34	Rear Axle Weight Distribution (No Load)	kg	3655	3895	4095	34
Power & Transmission	35	Battery	V/Ah	76.8V/450AH		35	
	36	Drive Motor	KW	21.5		36	
	37	Lift Motor	KW	25.4		37	
	38	Operating Pressure (For Attachments)	Mpa	19		38	

Specifications and characteristics are subject to change without notice.
Please contact us for detailed information.